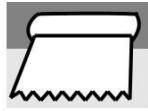


Installation Guidelines for Streamo Clipper RT Rubber Tiles



Ambient temperature



Floor temperature

According to the local Standard

Always check the material before starting work in order to avoid problems with visible defects. Please inform GERFLOR of any visible defects discovered and do not start work without their approval.

1 - MATERIAL INSPECTION

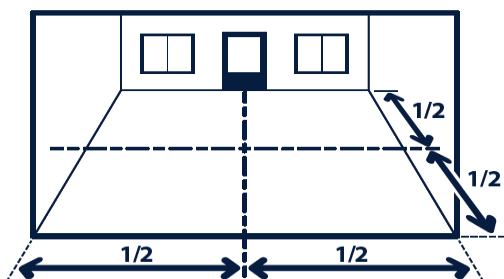
- Boxes are clearly marked with batch numbers and the product should be checked for match before installing.
- Inspect all materials carefully to verify that correct colours, lot number, quality and quantities have been shipped as ordered. Do not install or cut any material that has visible defects.
- A contractor that installs material that has visible defects or damage without prior consent of Gerflor, deems the product acceptable for installation and therefore accepts full responsibility.

Note: Tiles have no directional arrows and / or pattern design and therefore can be installed side by side in any direction. This system of installation allows the installer to fully ensure the studs are correctly aligned. Tiles should be allowed to acclimatise 48 hours prior to installation in an ambient temperature of 18°-24° Celsius.

2 - TILE LAYOUT

IMPORTANT

- Tracing the axes.



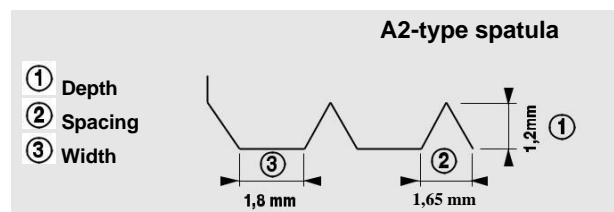
Mark out the starting axes for laying the tiles following the requirements as illustrated above:

- Centre a row of tiles on the main axes.
- Check that the cut tiles around the edges will be larger than a half-tile.

3 - ADHESIVE INSTALLATION

Use only adhesive recommended by Gerflor
Application is with a fine toothed A2 type (TKB specification) Notched trowel giving an adhesive consumption rate of 300 / 350 g/m².

To achieve this distribution, blades have to be changed regularly (every 100m²)



GERFLOR

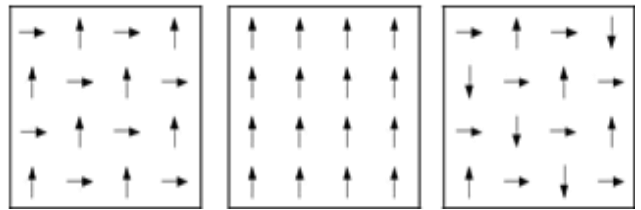
43 Blvd Robert Michon - 69170 Tarare – France – Tel. +33 4 74 05 40 00 – Email: streamo@gerflor.com

HQ: Campus Verrazano, 1Pl. Giovanni da Verrazano - Bâtiment B – 69009 Lyon – France

Tel. +33 4 72 65 10 00

Direction of Installation

Streamo Clipper RT can be installed in multiple directions so as to ensure that the studs are correctly aligned.

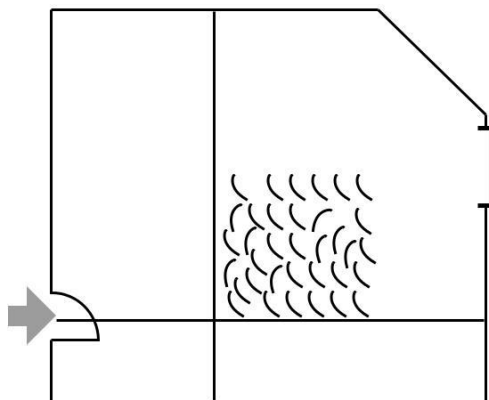


NOTE:

Closely follow the adhesive manufacturer's instructions with particular regard to its tack time. Room temperature, humidity, sub-floor absorption and adhesive consumption are important to achieve the best adhesion.

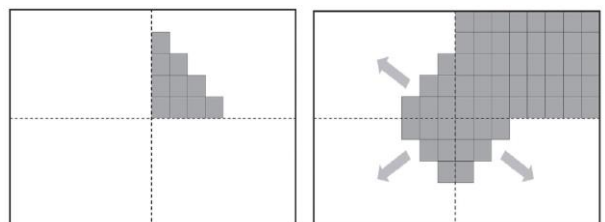
- Too short a tack time and bubbling will occur.
- Too long a tack time will result in poor transfer of the adhesive to the back of the tile.

Apply adhesive to an area no larger than can be covered within the adhesive's working time. Remove any surplus glue spots whilst work is in progress.



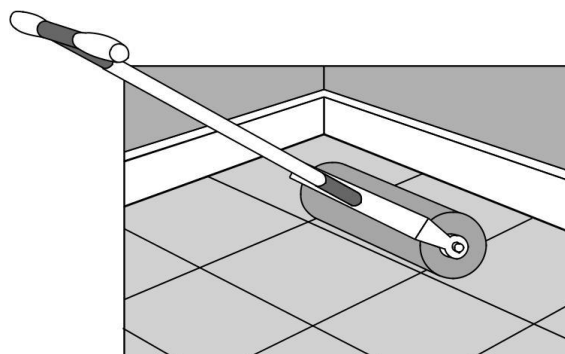
4. Installing the Tiles

- Lay down the tiles in a pyramid pattern ensuring they remain square with the guidelines previously marked onto the floor.
- Check the tile joints are closely butted together and the studs correctly aligned.



5 - ROLLING OUT

Using a minimum 50 Kg flooring roller, roll the whole installation in both length and width directions when installation is complete.



GERFLOR

43 Blvd Robert Michon - 69170 Tarare – France – Tel. +33 4 74 05 40 00 – Email: streamo@gerflor.com
 HQ: Campus Verrazano, 1Pl. Giovanni da Verrazano - Bâtiment B – 69009 Lyon – France
 Tel. +33 4 72 65 10 00

6- INITIAL MAINTENANCE AFTER INSTALLATION

Streamo CLIPPER has a protective coating to guard against dirt and marks during shipping and installation that must be removed.

- Use a broom or vacuum to remove dust and dirt.

- To remove the coating, use a mixture of regular neutral cleaner/degreaser (Diversey Profi) and water as per manufacturer's instructions and a 175 –350 r/min rotary swing machine equipped with a red fiber pad or use a soft nylon brush. Spread the solution evenly over the floor using a mop or sponge. Do not, at any time during the initial maintenance or thereafter, flood the floor with water or cleaning solutions.

Do not allow the solution to dry on the floor; wait 5 to 10 minutes before starting to clean.

-Scrub the floor using a 175 –350 r/min buffing machine equipped with a red pad or use a soft nylon brush.

-Wet vacuum or mop up the residue.

-Rinse with cold water. Wet vacuum or mop up to remove the water.

-Let the floor dry completely.

Tip –a good indicator that the protective coating has been removed is when the floor creates a squeaking sound when a finger is lightly pushed over the surface.

-Put two cross coats of an acrylic Sealer/Finish (Diversey Carefree or Carefree Matte) ; let dry and polish with a 175 – 350 r/min rotary swing machine equipped with a white pad or a buffing brush.

7. Recommended Adhesives

	F.Ball & Co	Uzin	Mapei
Flat Installation (Normal Conditions)	F58 Plus	KE66	G19
Flat Installation (High Temperature / Wet Conditions)	F81	KR430	G19

This recommendation is only a guidance. Closely follow the adhesive manufacturer's instructions.

The legal responsibility for adhesive supply and performance remains the sole responsibility of the relevant manufacturer.

Subfloor preparation has to be carried out according to the adhesive and/or levelling compound manufacturer's recommendations.

GERFLOR

43 Blvd Robert Michon - 69170 Tarare – France – Tel. +33 4 74 05 40 00 – Email: streamo@gerflor.com

HQ: Campus Verrazano, 1Pl. Giovanni da Verrazano - Bâtiment B – 69009 Lyon – France

Tel. +33 4 72 65 10 00